

Type G33 Refrigeration Reflex Gauge

The G33 Refrigeration Reflex Gauge is a heavy duty (flat glass) liquid level gauge, suitable for refrigeration liquids. The modular design is made up of compact and robust standard stainless steel precision cast elements.

Refrigerant industry isolating valves are available in a number of flexible configurations offering end mounted, side mounted, rear entry connections, with full centre to centre visibility can be secured with minimum overall length.

Example Applications

- Refrigeration chillers
- Refrigeration vessels
- Industrial refrigeration
- Ammonia refrigeration

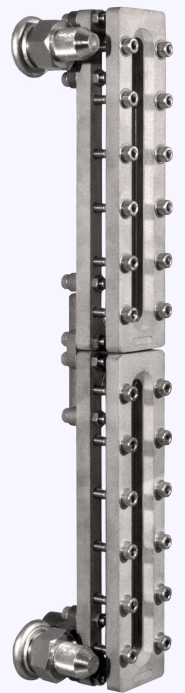
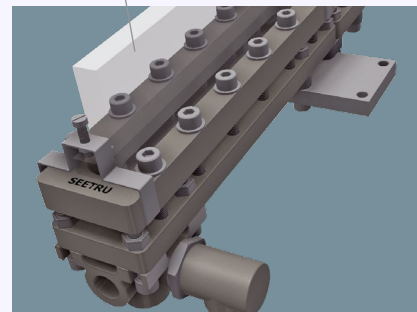
Specifications

- Maximum working pressure: 25 bar (depending on temperature and flanges)
- Maximum Operating Temperature: 100°C
- Minimum Operating Temperature: 0°C (without frost guard)
- For temperatures below 0°C to -30°C a frost guard is required
- Maximum Centre Distance: To suit requirements, gauges built in sections using No. 6 and No. 9 Reflex glass
- Minimum Centre Distance – 216mm (rear mounted/side mounted), 348mm (straight mounted)

Materials of Construction

Component	Material
Valve Units	Plated Mild Steel or Stainless Steel
Gauge Chamber	Stainless Steel
Glass	Borosilicate Reflex Glass BS3463
Glass To Chamber Seal	Asbestos Free Gasket
Valve O-ring Material	Elastomer Rubber - Choice of Materials

Frost Guard



Seal Materials

Seal Material	Temperature Range
Nitrile (NBR)	Up to 100°C
Viton (FKM)	Up to 100°C
EPDM	Up to 100°C
Neoprene	Up to 100°C

Other seal materials available upon request.

Connection Options

Type	Size
Threaded Connections	BSP thread 1/2" or 3/4"
	NPT thread 1/2" or 3/4"

Other connections available upon request.



Design:

The G33 Reflex gauge is a heavy duty (flat glass) liquid level gauge, suitable for refrigeration applications. The modular design is made up of compact and robust standard stainless steel precision cast elements and uses No. 6 and No. 9 size Reflex glass.

The isolation valves are manual screw down valves with auto shut-off valves.

Column arrangements:

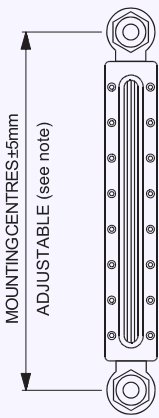
The Reflex gauge is available with either a straight or staggered column, and a choice of valve positions, to provide uninterrupted centre to centre liquid level indication. With the use of extension pieces most centre to centre distance requirements can be achieved.

Graduation:

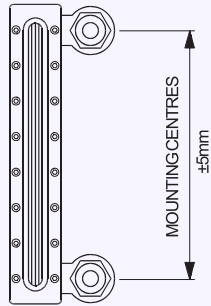
Where a measure of the precise storage volume is required an engraved scale plate can be provided marked with the capacity units.

Inline Column Options:

Ball valves with Threaded Connections:



STRAIGHT MOUNTED

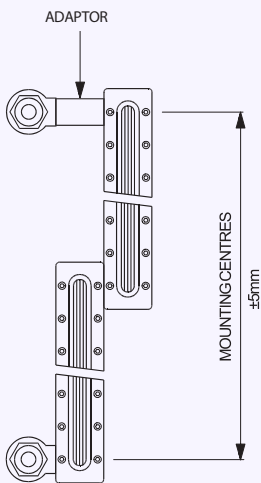


SIDE MOUNTED

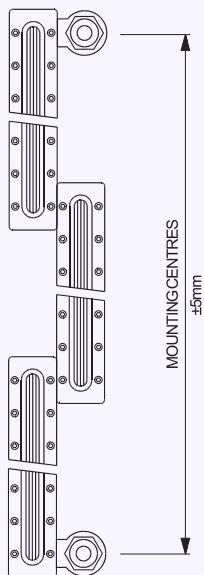
ISOLATING VALVES SIDE MOUNTED
(EQUAL TO LENGTH OF VISION)

Offset Column Options:

Provides uninterrupted viewing over the entire mounting centres.



STRAIGHT MOUNTED



SIDE MOUNTED