

PARTS LIST AND MATERIAL SPECIFICATION

1	BODY	BRASS BS 2874 CZ121
2	PLUNGER	VITON 90°
3	SPRING	ST.STL. BS2056 301S81 AG
4	RETAINER	STAINLESS STL. BS 970 316S31

TECHNICAL DATA

MAXIMUM OPERATING PRESSURE = 15 bar.g
 MAXIMUM OPERATING TEMPERATURE = 200°C
 SEAL MATERIAL = VITON

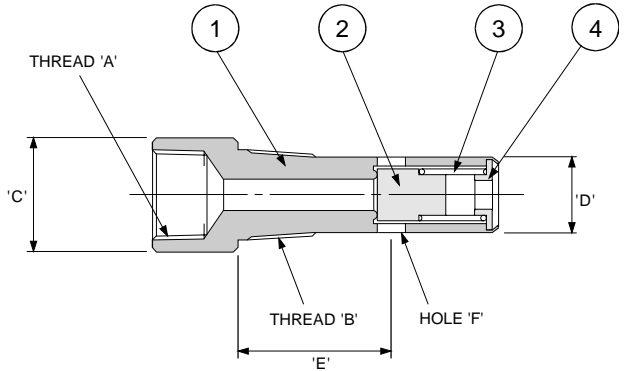
**TYPE
593**

VALVE SELECTION CHART

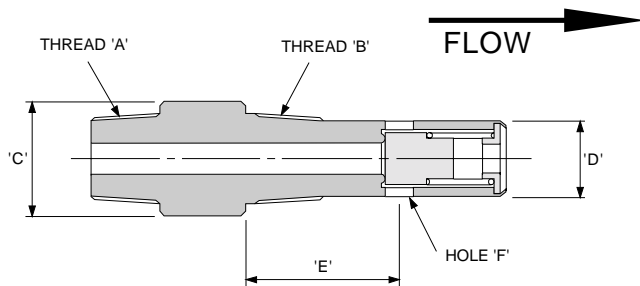
(Standard sizes shown, other sizes may be available.)

FITTING	THREAD FORM	CHECK VALVE REF. No.	INLET		OUTLET			
			Thread A BSP. (inch)	Thread B BSP. (inch)	Hexagon C A/F (mm)	Diameter D (mm)	Length E (mm)	Hole F DIA (mm)
FEMALE TO MALE	Parallel	593213000	1/4	1/2	27	18.3	36	7
	Taper	593214000						
	Parallel	593215000	3/8	3/4	30	23	38.5	8
	Taper	593216000						
	Parallel	593217000	1/2	3/4	30	23	48.5	8
	Taper	593218000					49.5	
Parallel	593219000	3/4	1	38	29	72	9	
Taper	593220000							
MALE TO MALE	Parallel	593227000	1/2	3/4	30	23	38.5	8
	Taper	593228000						
	Parallel	593229000	3/4	3/4	30	23	38.5	8
	Taper	593230000						
	Parallel	593231000	3/4	1	38	29	47	9
	Taper	593232000						

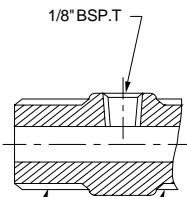
FEMALE TO MALE FITTING



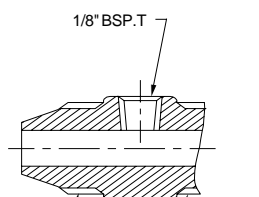
MALE TO MALE FITTING



OPTIONAL CONNECTIONS



STANDARD CONNECTION WITH VENT



CONED CONNECTION WITH VENT

OPTION : MALE TO MALE STD CONNECTION WITH 1/8" BSP.T. VENT

Parallel	593248000	1/2	3/4	30	23	38.5	8
Taper	593249000						
Parallel	593250000	3/4	3/4	30	23	38.5	8
Taper	593251000						
Parallel	593252000	3/4	1	35	29	47	9
Taper	593247000						

OPTION : MALE TO MALE CONED CONNECTION WITH 1/8" BSP.T. VENT

Coned	593269000	1/2	3/4	30	23	48.5	8
Coned	593268000	3/4	3/4	30	23	48.5	8



SEETRU LIMITED ALBION DOCKSIDE WORKS,
 HANOVER PLACE, BRISTOL. BS1 6UT
 TELEPHONE (0117) 927 9204, FAX (0117) 929 8193

**AIR RECEIVER
CHECK VALVE**

**TYPE
593**