

for compressed air or gases

cryogenic & liquefied gas

refrigeration

Type 329

Safety valves with either Bronze or Stainless Steel body <
Enclosed discharge valve with threaded connections <

Example Applications

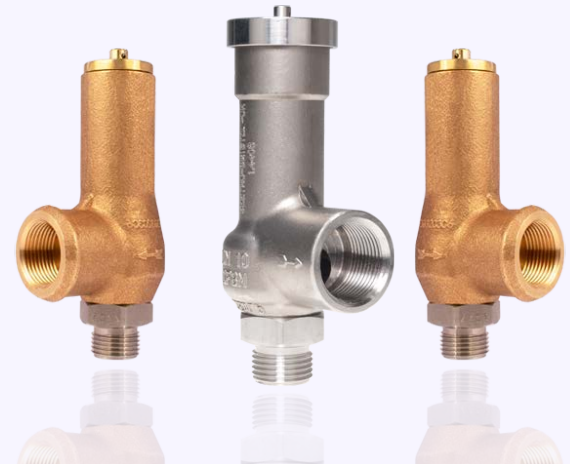
- Air/Gas systems
- Natural Gas
- CNG/LNG
- Pressure vessels
- Medical gases
- Technical Gases
- CO2 refrigeration
- Ammonia refrigeration (Stainless steel)
- Cryogenic applications
- Liquefied gases

Specifications

- Inlet connections: 3/8" to 3/4"
- Temperature range: -196°C to +70°C
- Pressure range: 53.0 to 370.0 bar

Materials of Construction

Component	Material	Grade
Inlet	Stainless Steel	1.4401 (316)
Body	Bronze	C83600
	Stainless Steel	1.4408 (316)
Internal Parts	Brass	BS EN 12164 CW614N
	Stainless Steel	1.4401 (316)
Spring	Stainless Steel	1.4310 (302)



Approvals

- Designed in accordance with BS EN ISO-4126-1 &-7
- PED 2014/68/EU (CE)
- PE(S)R UK SI 2016 No. 1105 (UKCA)
- ASME BPVC VIII.1 & XIII (UV)
- EAC
- CRN



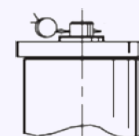
Seal Materials

Seal Material	Temperature Range
PTFE (up to 202 bar) PPS (202 to 370 bar)	-196°C to +70°C

Standard seal materials shown, others are available.

Top Fitting Options

- **Standard Option**
Sealed Cap (gas tight cap)

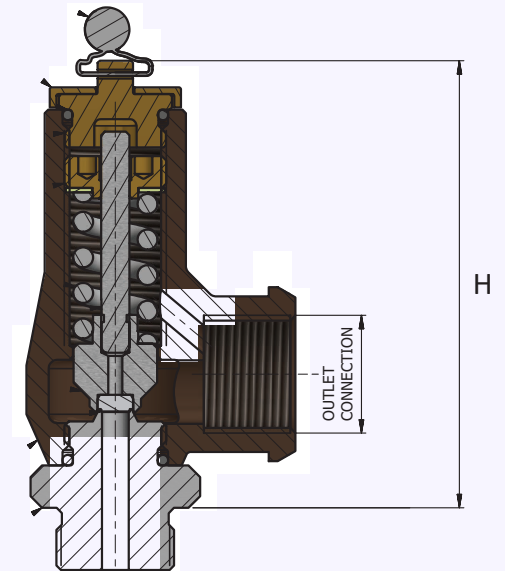


Technical information by bore size

Bore size	6mm		
Inlet Size	3/8"	1/2"	3/4"
Outlet Size	3/4"		
Flow Area	28.2mm ²		
H - Height	100mm (53.0 to 240.0 bar) 114mm (240.0 to 370.0 bar)		
TÜV allotted outflow coefficient	0.77		
NB Certified rated slope (ASME)	0.7scfm/psia		
Weight (approximate) Kg	0.8		
Set Pressure range - PED (CE) bar	53.0 to 370.0		
Set Pressure range - ASME (UV) psi	768.5 to 5365.0		
Relieving pressure/fully open pressure	Set pressure +10%		
Reseating pressure	Set pressure -15%		

Maximum permissible built up back pressure = 10% of set pressure at or below which flow is not reduced.

Valve drawing



Standard Thread Connection Types

- BSP Parallel male thread
- BSP Taper male thread
- NPT male thread

Standard Outlet Connection Types

- BSP Parallel female thread
- NPT female thread

Valve Selection Guide

Valve Type	Body Material	Approval Required	Select Bore	Inlet Size	Inlet Thread Type	Outlet Thread Type	Easing Gear	Seal Material
329	Stainless Steel Bronze	PED (CE) PED (CE), ASME (UV, NB), CRN	6mm	Select inlet size from above table	Select Inlet thread type	Select Outlet thread type	Sealed cap	PTFE

EAC marking available upon request


Please send your selected details to Seetru and we can provide the full ordering code, price and lead-time

Example of Valve Selection Process

Example Selection	Bronze	329	PED (CE)	6	1/2"	NPT	NPT	Sealed Cap	PTFE	175 bar
	Body Material	Valve Type	Approval	Bore = 6mm	Inlet Size	Inlet Thread Type	Outlet Thread Type	Top Fitting	Seal	Set Pressure

Capacity Table - In accordance with TÜV, AIR at 0°C and 1013mbar. Normal m³/hour
 Type 329: Flow rates at 10% above the set pressure




Set Pressure			Bore Size (D0)			
			6mm			
bar	psi		Nm ³ /Hour			
53	768.5		879.6			
60	870.0		993.8			
70	1015.0		1156.9			
80	1160.0		1320.0			
90	1305.0		1483.1			
100	1450.0		1646.3			
150	2175.0		2461.9			
200	2900.0		3277.5			
250	3625.0		4093.1			
300	4350.0		4908.7			
350	5075.0		5724.4			
370	5365.0		6050.6			

For any intermediate pressures/flows please contact Seetru

Capacity Table - In accordance with ASME BPVC.XIII, AIR at 60°F and 14.7 psia/scfm. SCFM
 Type 329: Flow rates at 10% above the set pressure



Set Pressure			Bore Size (D0)			
			6mm			
psi	bar		SCFM			
768.5	53		602			
870	60		680			
913.5	63		714			
1203.5	83		937			
1305	90		1015			
1450	100		1127			
2175	150		1685			
2900	200		2243			
2929	202		2266			
3480	240		2690			
3625	250		2802			
4350	300		3360			
5075	350		3918			
5365	370		4141			

For any intermediate pressures/flows please contact Seetru