

for compressed air or gases

Type 31180

Safety valves made from Brass <
Atmospheric discharge with threaded connections <

Example Applications

- Compressors
- Pressure vessels
- Pneumatic systems
- High pressure systems

Specifications

- Inlet connections: 1/4" or 3/8"
- Temperature: -40°C to +200°C (depending on seal material)
- Pressure range: 20.6 to 134.5 bar

Materials of Construction

Component	Material	Grade
Inlet	Brass	CW614N
Body	Brass	CW614N
Internal parts	Brass	CW614N
Spring	Stainless Steel	302



Approvals

- Designed in accordance with BS EN ISO-4126-1 &-7
- PED 2014/68/EU (CE)
- PE(S)R UK SI 2016 No. 1105 (UKCA)
- EAC



Seal Materials

Seal Material	Temperature Range
Viton® (FKM)	-15°C to +200°C
Nitrile (NBR)	-40°C to +120°C

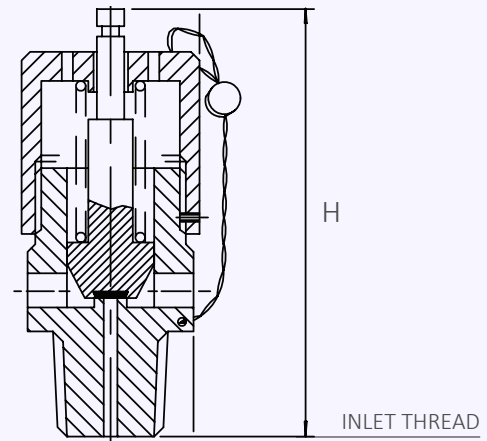
Easing Gear / Lifting Gear Options

- Standard option – Spindle Lift

Technical information by bore size

Bore size	3.2mm	
Inlet Size	1/4"	3/8"
Flow Area	8.0mm ²	
H - Height	42mm	
TÜV alloted outflow coefficient	0.54	
Weight (approximate) Kg	0.4	
Set Pressure range - PED (CE) bar	20.6 to 134.5 bar	
Relieving pressure/fully open pressure	Set pressure +10%	
Reseating pressure	Set pressure -15%	

Valves with Rota-lift Easing Gear



Standard Thread Connection Types

- BSP Parallel male thread (1/4" or 3/8")
- BSP Taper male thread (1/4")
- NPT male thread (1/4")

Valve Selection Guide

Approval Required	Valve type	Inlet Size	Thread Type	Easing Gear	Seal Material
PED (CE)	31180	Select inlet size from above table	Select thread type	Spindle lift only	Viton® (FKM) Nitrile (NBR)

EAC marking available upon request


***Please send your selected details to Seetru and we can provide the full ordering code, price and lead-time.**

Example of Valve Selection Process

Example Selection	CE	31180	1/4"	BSP Taper	Spindle Lift	Viton	100 bar
	Approval	Valve Type	Inlet Size	Thread Type	Easing Gear	Seal	Set Pressure

Capacity Table - In accordance with TÜV, AIR at 0°C and 1013mbar. Normal m³/hour
 Type 31180: Flow rates at 10% above the set pressure



Set Pressure 		Bore Size (D0)			
		3.2mm			
bar	psi	Nm ³ /Hour			
20.6	298.7	70.0			
30.0	435.0	100.6			
40.0	580.0	133.2			
50.0	725.0	165.7			
60.0	870.0	198.2			
70.0	1015.0	230.8			
80.0	1160.0	263.3			
100.0	1450.0	328.4			
110.0	1595.0	360.9			
120.0	1740.0	393.5			
130.0	1885.0	426.0			
134.5	1950.3	440.7			